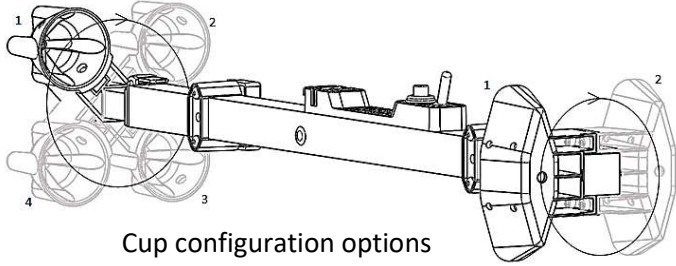
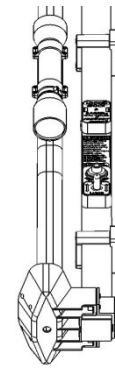


Locked Stock & Barrel Assembly

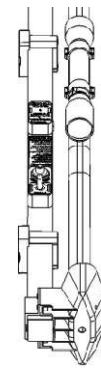


Cup configuration options

Left handed user



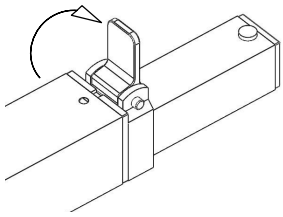
Right handed user



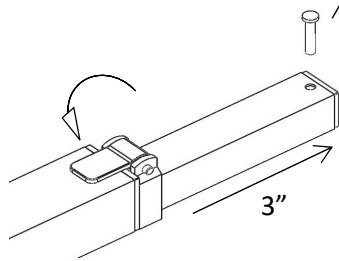
Ideal assembly orientation for easy access with dominant hand

Muzzle Cup Installation Instructions

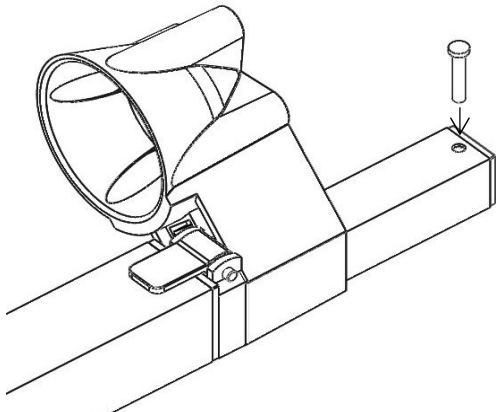
1 Raise the lever on the stroke limiter



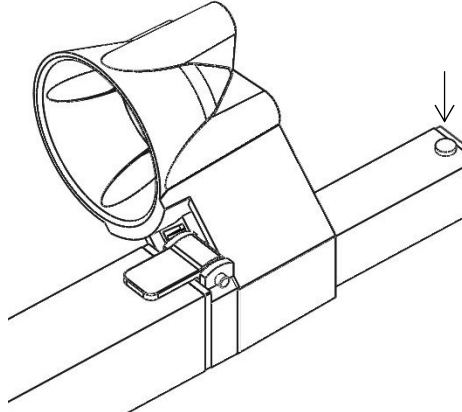
2 Carefully extend/pull the silver extension tube out about 3 inches, push the lever on the stroke limiter down to lock the tube from retracting and remove the lock pin



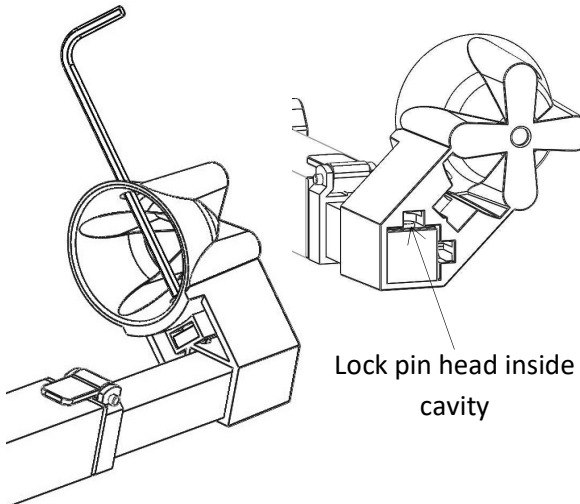
3 Slide the muzzle cup onto the extension tube



4 Insert the lock with the head of the pin orientated with the cavity on the muzzle holder

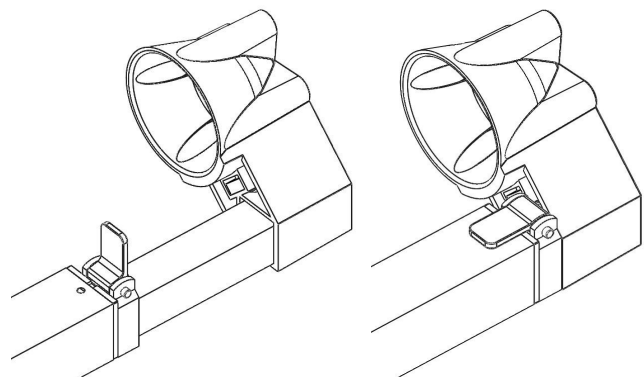


5 Slide the muzzle cup out and over the lock pin head and tighten screw firmly



Lock pin head inside cavity

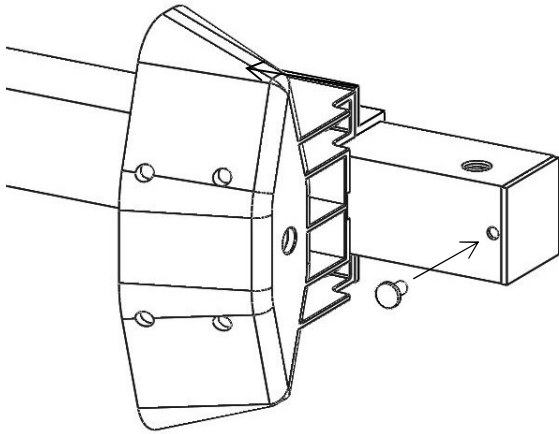
6 While holding the muzzle cup and black extension tube, raise the lever on the stroke limiter and slowly let the tube contract



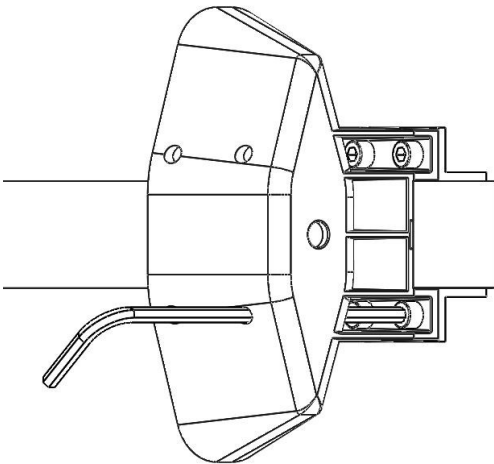
Do Not lift the stroke limiter lever unless both tubes are being held or the tubes will retract quickly

Buttstock Holder Installation Instructions

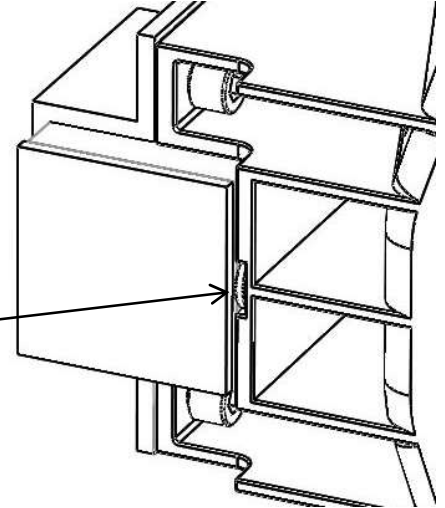
1 Slide the buttstock holder over the main tube, insert the keeper pin into the hole in the main tube on the same side as the buttstock holder



2 Slide the buttstock holder over the keeper pin ensuring that it is in the cavity and that the buttstock holder is not on top of the keeper pin and then firmly tighten all four screws

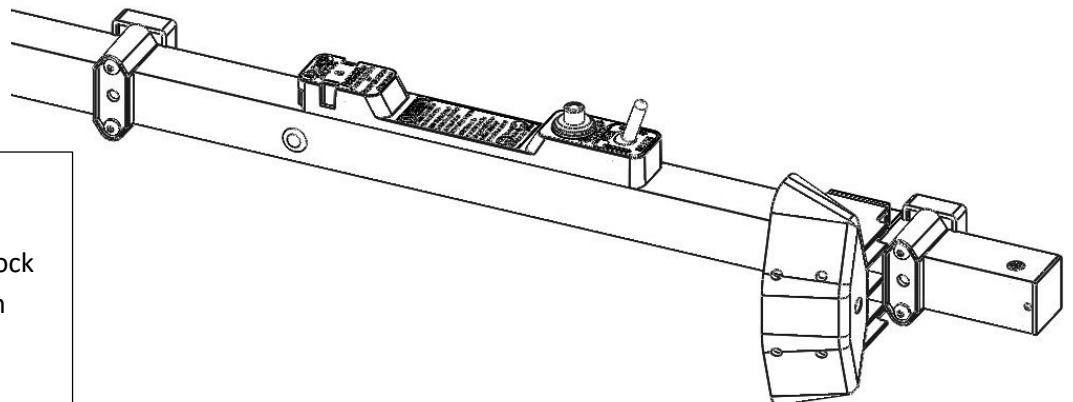


NOTE: Properly position keeper pin in cavity. Head is flush with the edge of the buttstock holder



Optional Buttstock Holder Installation for firearms 28" to 36" OAL and with OAL less than 36" w/stock collapsed

3 Slide the buttstock holder up the main tube approx. 5" and tighten four screws. Place the mounting clamp directly behind the buttstock holder



NOTE: when a firearm with collapsible/telescoping buttstock is used, the buttstock must be fully collapsed when placed in rack to prevent removal of the firearm by collapsing the stock