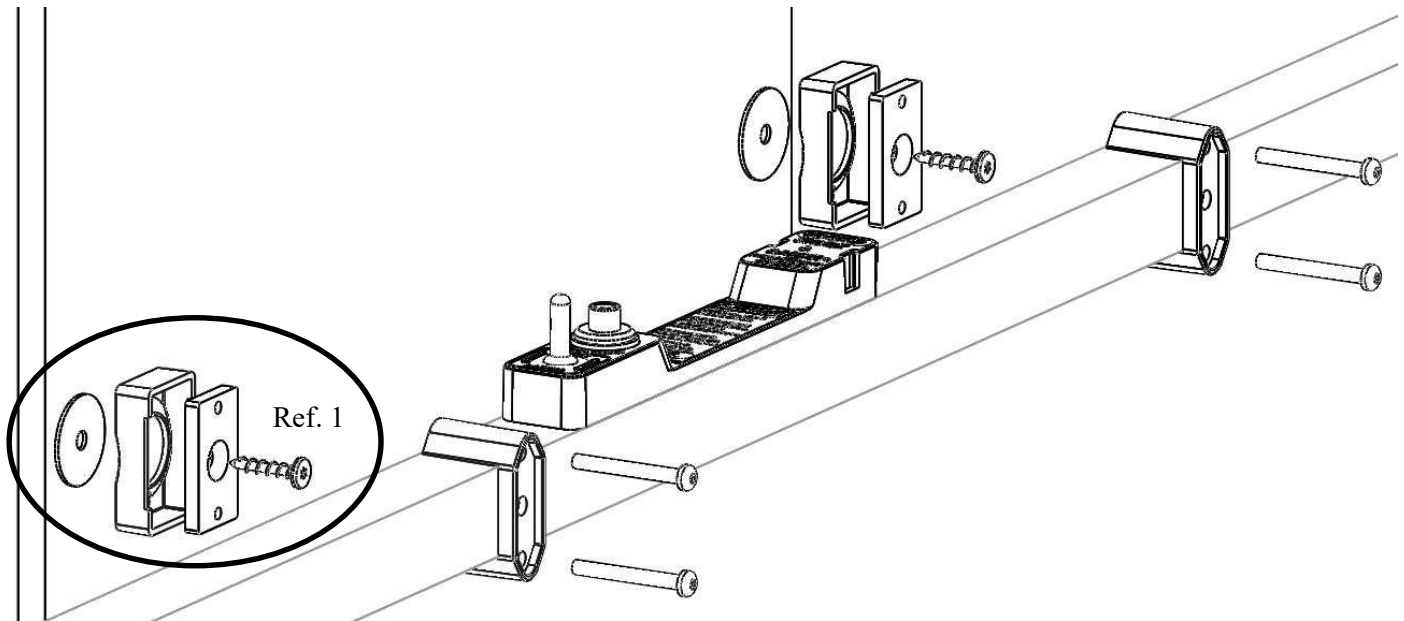


## Mounting to flat wall stud or solid structure using 2 lag screws



### Note:

- For sheetrocked walls, use the longer screws provided
- For direct contact with solid wood surface, use the shorter screws provided

Identify the desired location for mounting the Locked Stock & Barrel.

Install the muzzle cup and buttstock holder (see basic assembly doc) in the proper orientation to fit the selected location.

If installing in sheetrocked wall, locate studs and lightly mark centers with a pencil.

Hold the assembled Locked Stock & Barrel against the desired location and make two pencil marks, one between the muzzle holder and mechanism housing and one between the mechanism housing and buttstock holder.

The provided screws are self drilling; however, if necessary, drill pilot holes on the marks using a 1/8" drill bit.

As shown in Ref. 1 above, screw the components for both clamps to the wall leaving them able to rotate lightly. **DO NOT** tighten firmly.

Place the U shaped upper clamp over the Locked Stock & Barrel and fasten to the lower clamp using the four longer screws.