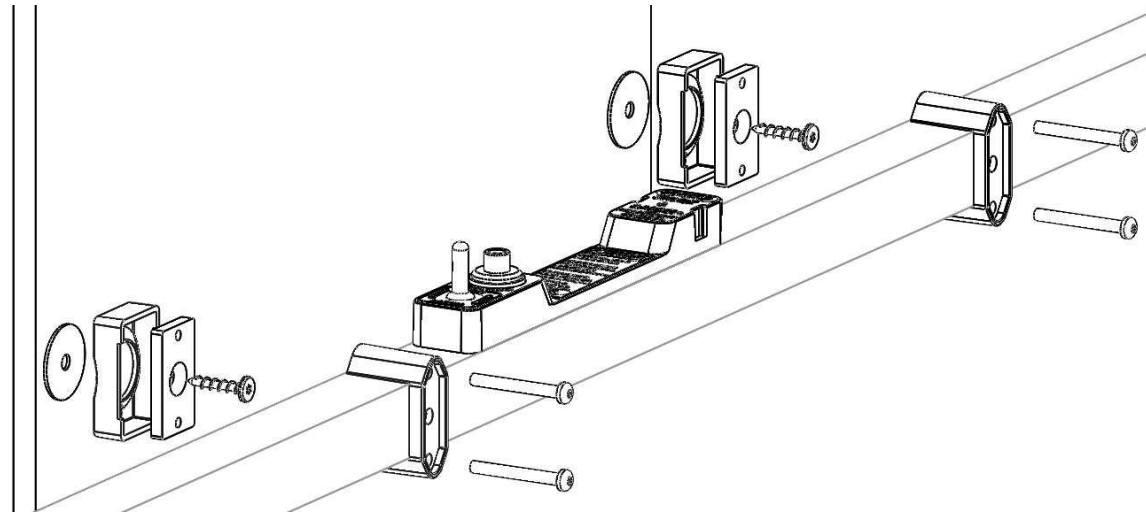


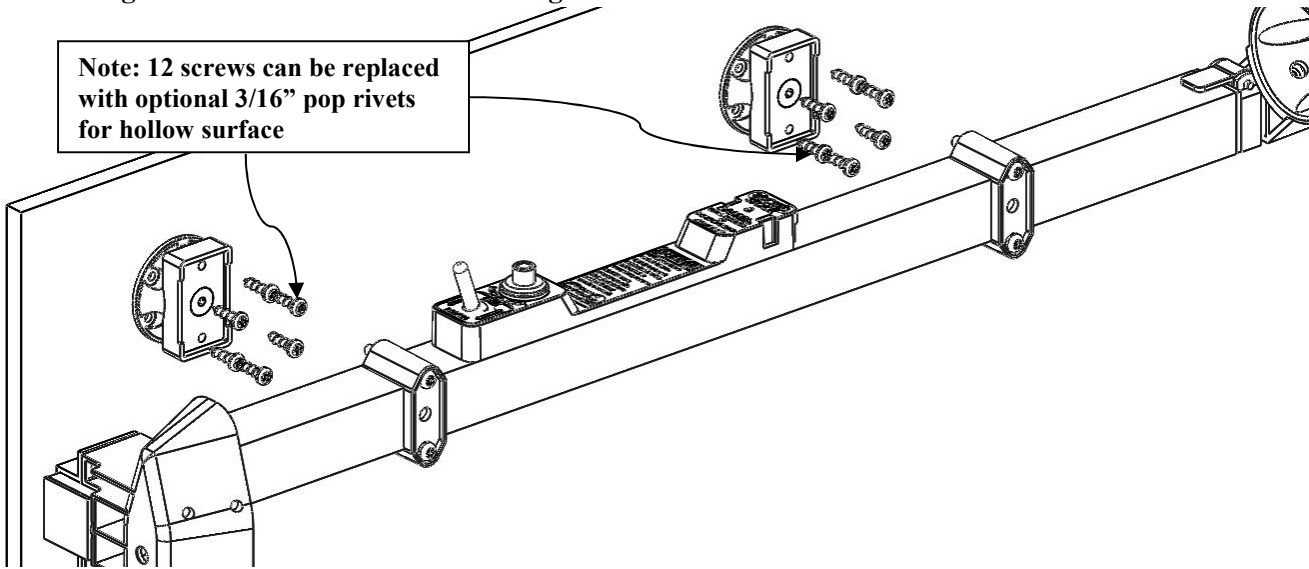
# Basic Installation & Mounting Configurations

## Mounting to flat wall stud or solid structure using 2 lag screws



## Mounting to uneven or hollow surface using swivel base

Note: 12 screws can be replaced with optional 3/16" pop rivets for hollow surface



## Mounting to round bar or ATV/UTV with optional tube clamps available from 3/4" to 2" dia.

Optional ATV/UTV round tube clamps

