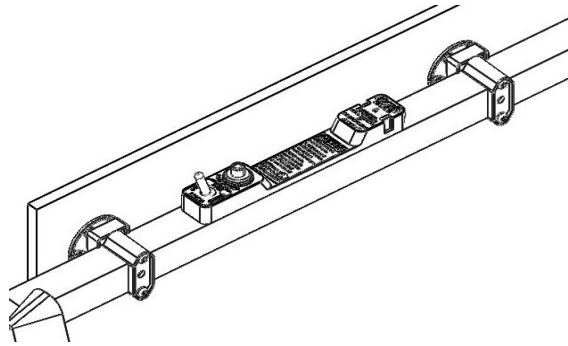


Mounting to uneven or hollow surface using swivel base

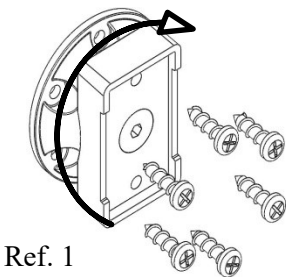


Note:

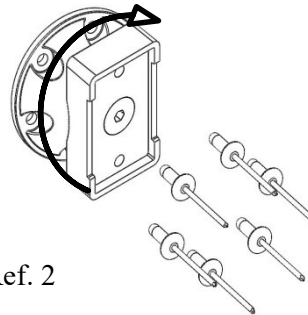
- The center screw that holds the swivel base on should be snug and not tightened, allowing the base to swivel and self-align. The entire clamp assembly will self-tighten when the upper clamps are tightened.
- For thin metal, use optional pop rivets - part #300.06.
- For thin wood such as plywood, use optional screws - part #300.09.
- For thin plastic or fiberglass, use optional expanding rivets - part # 300.05.

Identify the desired location for mounting the Locked Stock & Barrel.

Install the muzzle cup and buttstock holder (see basic assembly doc) in the proper orientation to fit the selected location.

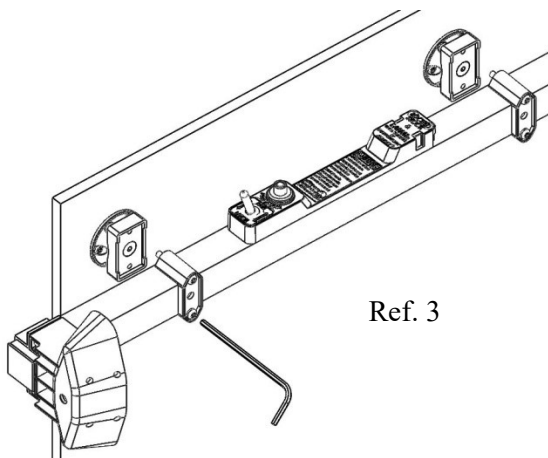


Ref. 1



Ref. 2

Install the fasteners by rotating the clamp base to expose the holes referenced in 1 and 2 above.



Ref. 3

Place the U shaped upper clamps over the LS&B and firmly install the four mounting screws (Ref. 3)