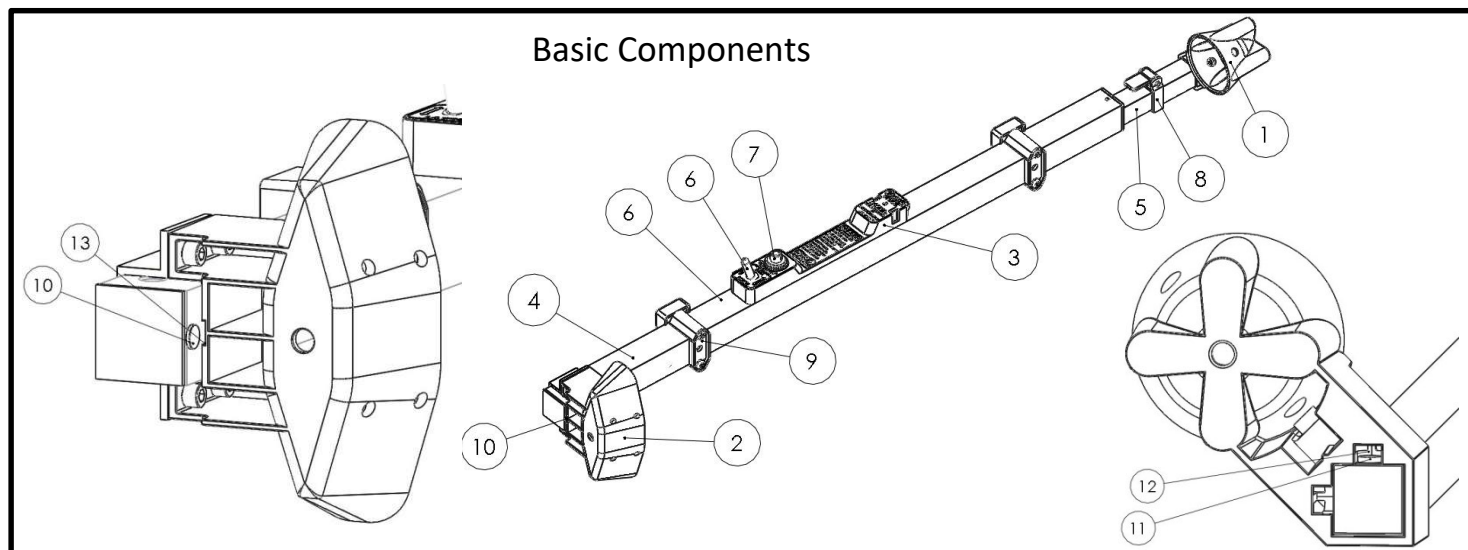


Locked Stock & Barrel®

Use and Operation



Reference #	Description / Name	Reference #	Description / Name
1	Muzzle cup	8	Stroke limiter
2	Buttstock holder	9	Clamp assembly
3	Mechanism housing	10	Security pin – buttstock holder
4	Main tube body	11	Security pin – muzzle cup
5	Extension tube	12	Muzzle cup security pin cavity
6	Latch lever	13	Buttstock holder security pin cavity
7	High security lock		

Uses and installations

- Never use with a loaded firearm
- Never install in a vehicle with the muzzle lower than the buttstock
- Never use in a moving vehicle with the latch not engaged
- Always use in accordance with all local and Federal laws
- Follow installation instructions

Operation

- Latch – move forward to the free position to allow the extension tube to extend outward
Move backwards to the latch position to stop the extension tube from extending
 - Note: the extension tube can retract when the latch lever is in the latch position
- Lock – When the latch lever is in the latch position and the key removed, press the lock button downwards until it clicks and does not return upwards
To unlock, place the key into the lock button and turn counter clockwise and allow the spring to return the button to the extended position
- Stroke limiter – If space constraints or operator preference is to not allow the extension tube to fully retract when removing the firearm. To use: when a firearm is installed in the Locked Stock & Barrel, lift the stroke limiter lever and slide the stroke limiter down until it almost touches the end of the main tube body and then press the lever down.
 - Note: never release the stroke limiter without a firearm in the Locked Stock & Barrel or the extension tube can quickly retract causing injury or damage to the Locked Stock & Barrel

- Inserting and removing standard rifles and shotguns
 - Removing a firearm - With the latch lever in the free position, in a single motion reach for the wrist of the firearm's stock with your thumb extended outward and click the latch lever forward. Fully grab the wrist of the stock and move the firearm forward until the butt plate is clear of the buttstock holder and then move the firearm backwards until the extension tube is fully retracted.
 - Inserting a firearm – With the latch in the free position and while holding the firearm's stock by the wrist, place the muzzle into the muzzle cup and press forward until the firearm's butt plate is past the buttstock holder. Then move the firearm backwards and guide the buttstock into the buttstock holder. Then retract the latch into the latch position and press the lock button down.

Weapons that may not be fully secured and/or require special installation

- Break barrel weapons – These types of weapons will work fine for transportation and storage, but require the optional break action bracket to provide security
- Collapsible and folding stocks – Firearms with telescoping/collapsible stocks will need to be placed into the Locked Stock & Barrel with the stock fully collapsed to provide security
- Modern sporting rifles such as the AR15 that have a rear removable pivot pin may require the optional rear pivot pin obstructer to prohibit the gun's disassembly and subsequent removal from the Locked Stock & Barrel

Maintenance and Care

- Wipe/clean the extension tube of dust or debris with dry cloth before using
- Check fastener tightness monthly
- If the extension tube doesn't retract quickly or freely, it can be lubricated ONLY with a dry lube containing PTFE such as *WD-40 SPECIALIST Dry Lube with PTFE*. Do not use oils or grease.
- If the extension tube is slow to retract after long term storage of a weapon, simply exercise retracting spring by extending and retracting it a couple of times.
- Do not use if damaged
- Contact manufacturer for any replacement components